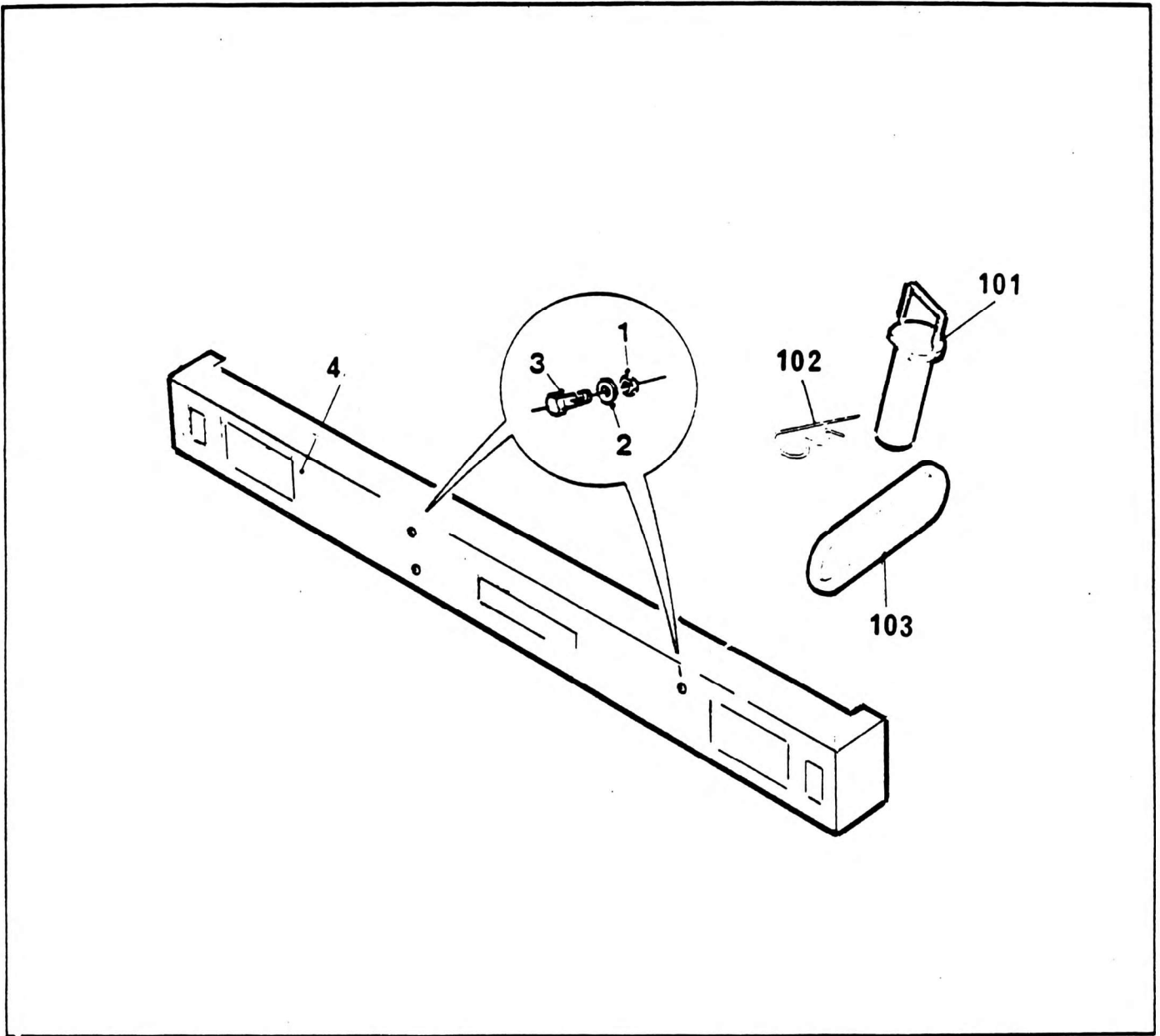


BUMPER BAR ASSEMBLY



NO.	PART NO.	QTY.	DESCRIPTION	NO.	PART NO.	QTY.	DESCRIPTION
1	7069406	4	Nut Philidas M12				
2	7066539	4	Washer Plain M12				
3	7045403	4	Screw Hex Head M12 x 35 Long				
4	6-195-990073	1	Bumper Bar Weld Assy				
-	6-689-990241	1	Tow Pin Assy Incl. Items 101-103				
101	6-689-990124	1	Tow Pin				
102	193332	1	Locking Clip				
103	8361195	1	Link				